

# INTERNATIONAL MULTI-PURPOSE CONDUIT AND CABLE CONNECTOR

(TESTED AND CERTIFIED TO U.S. AND CANADA STANDARDS)



## FEATURES:

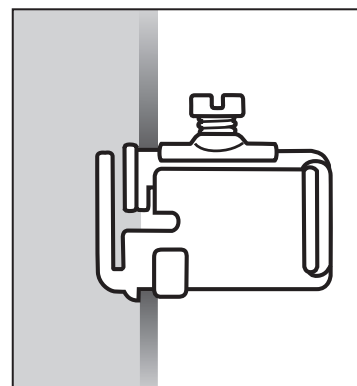
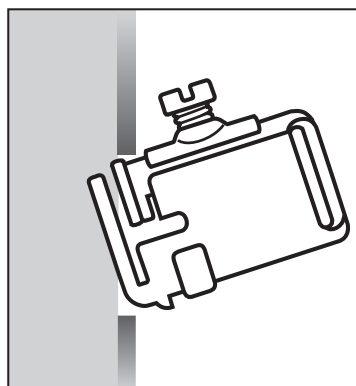
- Quick and easy installation in seconds
- No locknut to use or lose
- Connector can be used in many applications, including:
  - Armored or type MC cable (14/2 – 10/3) and 3/8 FMC conduit (steel or aluminum)
  - Non-metallic sheathed cable (Romex Type), type UF, SE, SEU cable. (Accepts one or two cables)
  - Portable cords. Range of .100-.625 O.D.
- Made of quality steel construction
- Available in 3/8"
- U.S. Patent Number 6,140,582
- Complies with UL 514B, UL 1 and CSA C22.2 #18.3-04 File number LR 14901
- RoHS WEEE compliant

## USES:

International Multi-Purpose Conduit and Cable Connector provides quick and easy installation for a variety of applications, including flexible metal conduit, armored cable or metal-clad cable, non-metallic sheathed cable and flexible cords. Available in 3/8", this versatile snap-in, saddle clamp type connector can save you both time and money.

## SPECIFICATIONS:

| Catalog Number | Size and Description         |
|----------------|------------------------------|
| MPC50          | 3/8" Multi-purpose connector |



Tilt-connector, putting top lip of connector into KO, then snap downward. Insert cable, then tighten screw.



**INTERNATIONAL**  
METAL HOSE COMPANY

QUALITY MATERIALS • QUALITY MANUFACTURING  
QUALITY PERFORMANCE

520 Goodrich Road – Bellevue, OH 44811-0149 – Phone: 419.483.7690  
Fax: 419.483.8225 – Toll Free: 800.458.6855 – [www.metalhose.com](http://www.metalhose.com)