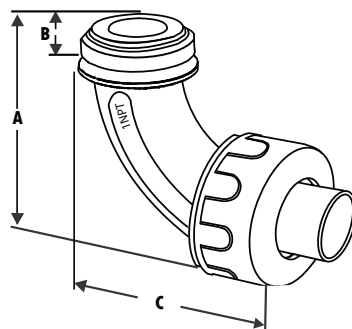
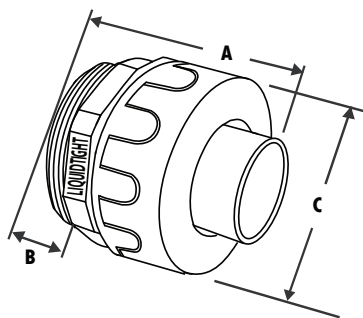




## NONMETALLIC LIQUID TIGHT CONDUIT CONNECTORS

(TESTED AND CERTIFIED TO U.S. AND CANADA STANDARDS)



### FEATURES:

- Quick installation; fittings screw directly onto the conduit; no disassembly is required
- Smooth interior surface and no sharp edges allow for quicker and easier wire pulling and pushing
- Won't rust or corrode
- Complies with UL 514B, CSA C22.2 #18, and NEMA Specification FB-1
- Exceeds the UL 150 pound, 5 minute pullout test
- Suitable for wet and damp locations
- Furnished with locknut and sealing o-ring; provides a liquid-tight seal at knockout hole
- Tapered connector ferrule allows for variations in conduit ID and field cuts
- Suitable for use in hazardous locations per NEC Article 500 Class I, Div. 2; Classes II and III
- RoHS WEEE compliant

### Straight Connectors

Item No.	Trade Size	K.O. Size	Pkg Qty	Weight Per Pkg	Part Dimensions (inches)		
					A	B	C
4701-SF	3/8"	1/2"	25/100	5	2.000	0.540	1.400
4712-SF	1/2"	1/2"	25/100	5	2.000	0.540	1.400
4722-SF	3/4"	3/4"	10/100	7	2.200	0.635	1.700
4731-SF	1"	1"	5/50	7	2.280	0.740	2.000
4741-SF	1-1/4"	1-1/4"	5/25	5	2.440	0.760	2.400
4750-SF	1-1/2"	1-1/2"	2/10	3	2.700	0.800	2.670
4760-SF	2"	2"	2/10	4	2.990	0.850	3.280

### 90 Degree Connectors

Item No.	Trade Size	K.O. Size	Pkg Qty	Weight Per Pkg	Part Dimensions (inches)		
					A	B	C
4702-EL	3/8"	1/2"	10/100	5	2.120	0.500	3.120
4712-EL	1/2"	1/2"	10/100	5	2.120	0.500	3.120
4722-EL	3/4"	3/4"	10/100	10	2.500	0.520	3.600
4731-EL	1"	1"	5/50	8	3.125	0.700	4.125
4741-EL	1-1/4"	1-1/4"	5/25	7	4.450	0.760	5.200
4750-EL	1-1/2"	1-1/2"	2/10	4	4.750	0.800	5.200
4760-EL	2"	2"	2/10	5	5.420	0.860	5.800



**INTERNATIONAL**  
METAL HOSE COMPANY

QUALITY MATERIALS • QUALITY MANUFACTURING  
QUALITY PERFORMANCE

520 Goodrich Road – Bellevue, OH 44811-0149 – Phone: 419.483.7690  
Fax: 419.483.8225 – Toll Free: 800.458.6855 – www.metalhose.com