

# ZINC DIE-CAST LIQUID TIGHT CONDUIT CONNECTORS

(TESTED AND CERTIFIED TO U.S. AND CANADA STANDARDS)



## FEATURES:

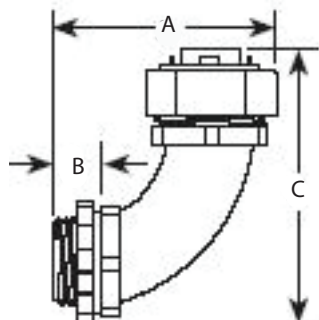
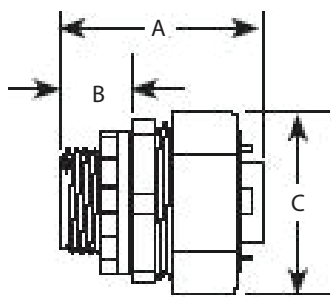
- Available 3/8" though 4"
- For use with both Metallic Liquid Tight Conduit and Nonmetallic Liquid Tight Type B
- Zinc construction resists salt water, weak acids, gasoline, alcohol, oil grease & common solvents
- Resistant to outdoor weather conditions
- No disassembly required
- No threading of the conduit or tubing required
- Complete conduit/connector system is reusable
- Suitable for indoor/outdoor use; for original equipment manufacturers or field installers
- Smooth internal surfaces
- "O" Ring & zinc locknut included
- RoHS WEEE compliant

## Straight Connectors

Item No.	Trade Size	K.O. Size	Pkg Qty	Weight Per Pkg	Part Dimensions (inches)		
					A	B	C
5800-SF	3/8"	1/2"	100	18	1.58"	1.18"	0.53"
5801-SF	1/2"	1/2"	100	18	1.58"	1.18"	0.53"
5802-SF	3/4"	3/4"	100	23	1.69"	1.57"	0.58"
5803-SF	1"	1"	25	10	2.06"	1.81"	0.58"
5804-SF	1-1/4"	1-1/4"	25	15	2.06"	2.18"	0.61"
5805-SF	1-1/2"	1-1/2"	10	7.5	2.09"	2.51"	0.63"
5806-SF	2"	2"	10	12	2.15"	3.03"	0.63"
5807-SF	2-1/2"	2-1/2"	5	7.5	3.54"	3.68"	1.02"
5808-SF	3"	3"	1	2	4.04"	4.38"	1.07"
5810-SF	4"	4"	1	4	4.99"	5.54"	1.15"

## 90 Degree Connectors

Item No.	Trade Size	K.O. Size	Pkg Qty	Weight Per Pkg	Part Dimensions (inches)		
					A	B	C
5800-EL	3/8"	1/2"	100	27	2.11"	2.53"	0.53"
5801-EL	1/2"	1/2"	100	28	2.24"	2.46"	0.53"
5802-EL	3/4"	3/4"	100	38	2.47"	2.79"	0.55"
5803-EL	1"	1"	25	16	3.46"	3.86"	0.58"
5804-EL	1-1/4"	1-1/4"	25	25	3.37"	3.99"	0.67"
5805-EL	1-1/2"	1-1/2"	10	13	4.28"	5.04"	0.61"
5806-EL	2"	2"	10	19	4.21"	5.06"	0.71"
5807-EL	2-1/2"	2-1/2"	1	4	5.75"	7.00"	1.03"
5808-EL	3"	3"	1	5	6.00"	7.25"	0.99"
5810-EL	4"	4"	1	7	8.75"	10.00"	1.17"



**INTERNATIONAL**  
METAL HOSE COMPANY

QUALITY MATERIALS • QUALITY MANUFACTURING  
QUALITY PERFORMANCE

520 Goodrich Road – Bellevue, OH 44811-0149 – Phone: 419.483.7690  
Fax: 419.483.8225 – Toll Free: 800.458.6855 – www.metalhose.com